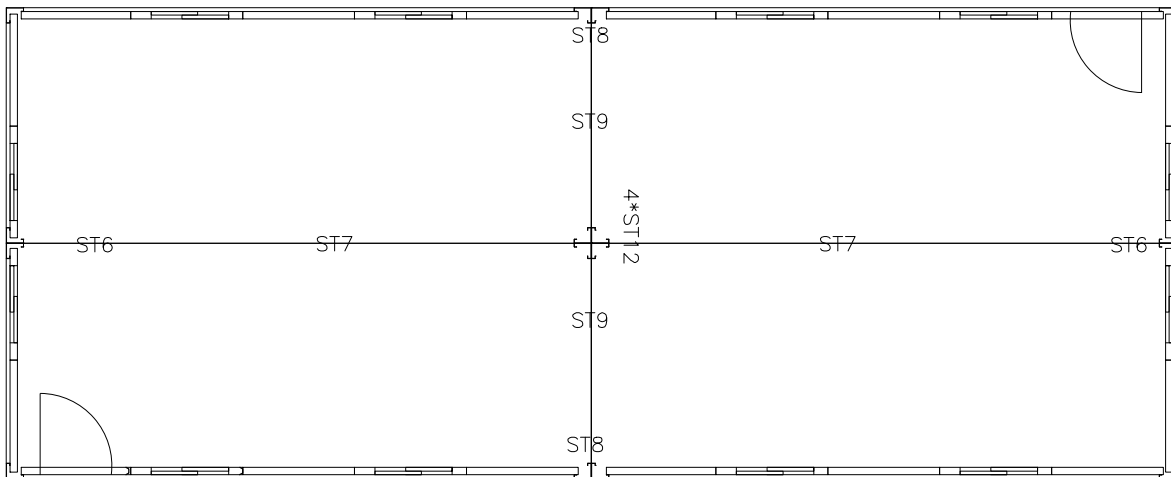


Autodesk

ST6	2
ST7	2
ST8	2
ST9	2
ST12	4

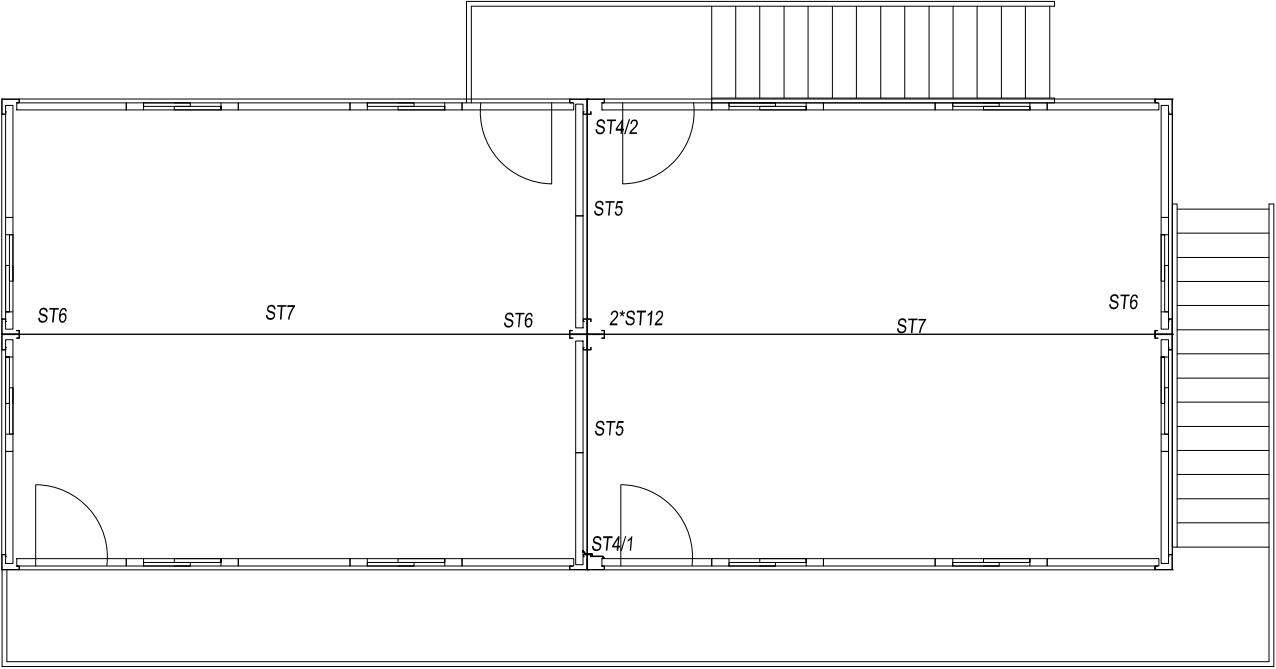


Autodesk

Autodesk

Autodesk

Autodesk



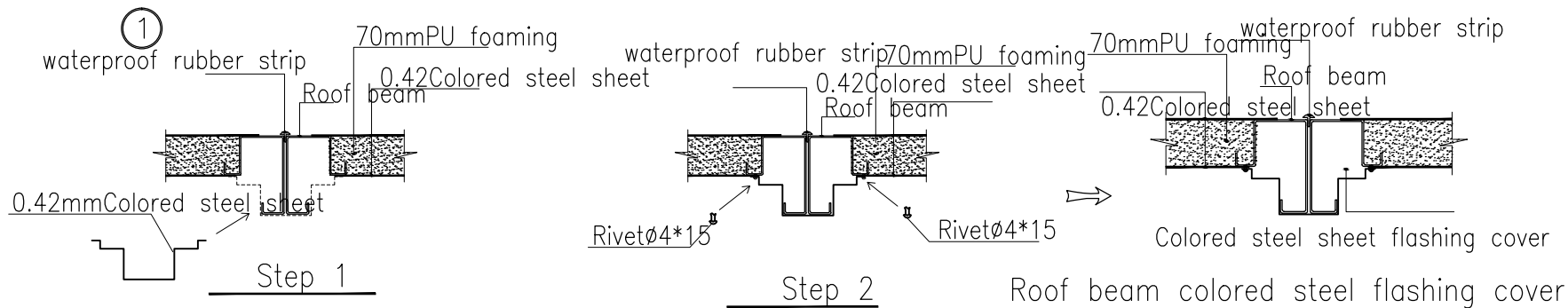
ST6	3
ST7	2
ST4/1	1
ST4/2	1
ST5	2
ST12	2

Autodesk

Autodesk

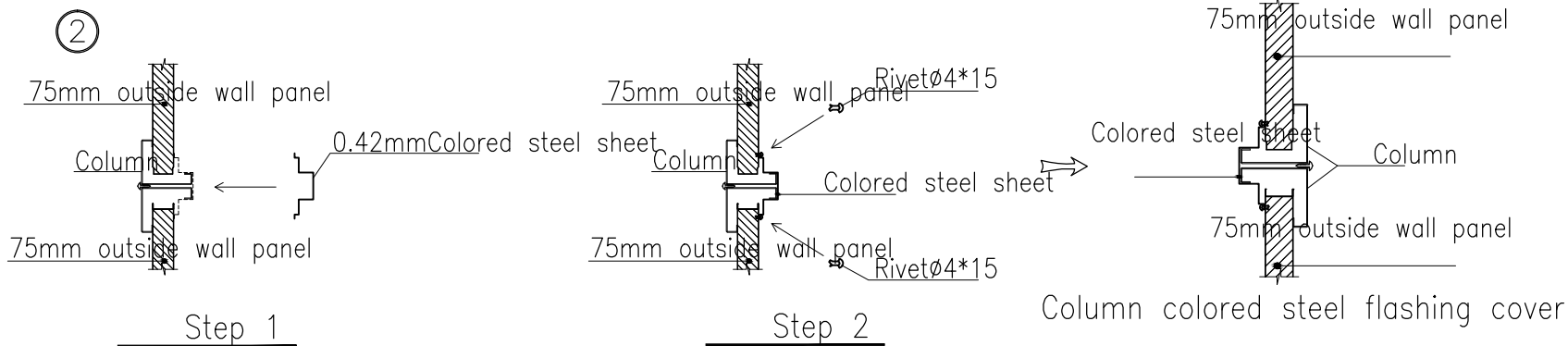
Autodesk

Autodesk



Install the pre-made colored steel flashing to the roof beam joint

Fix with rivet between flashing cover and main structure



Install the pre-made colored steel flashing to the column joint

Fix with rivet between flashing cover and main structure

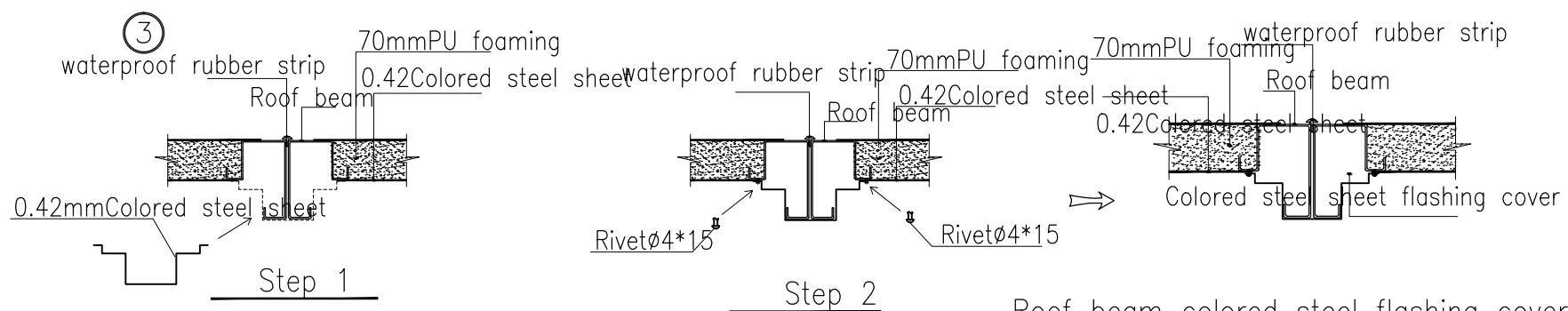
Full one

Autodesk

Autodesk

Autodesk

Autodesk

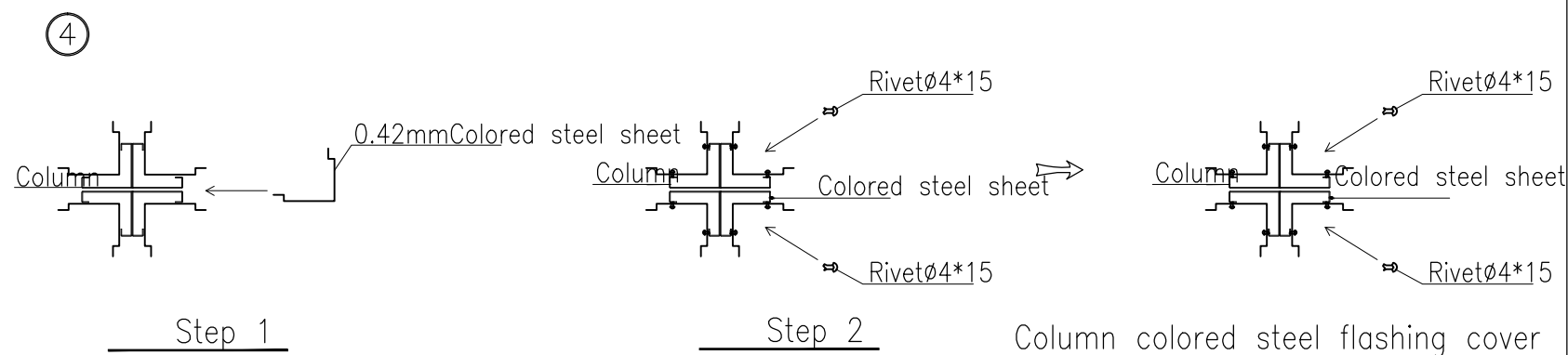


Install the pre-made colored steel flashing to the roof beam joint

Fix with rivet between flashing cover and main structure

Roof beam colored steel flashing cover
Full one

Autodesk



Install the pre-made colored steel flashing to the column joint

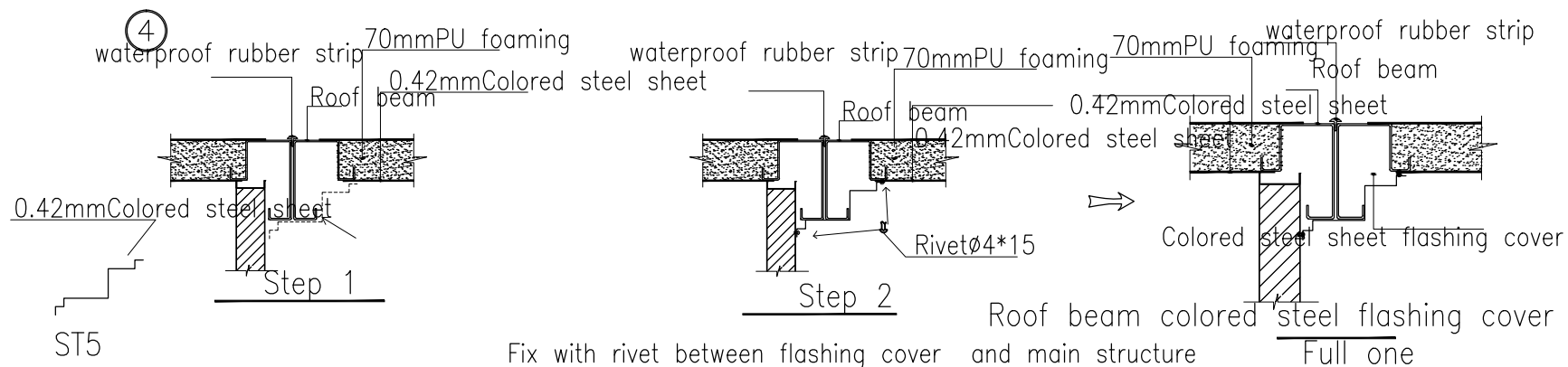
Fix with rivet between flashing cover and main structure

Column colored steel flashing cover
Full one

Autodesk

Autodesk

Autodesk

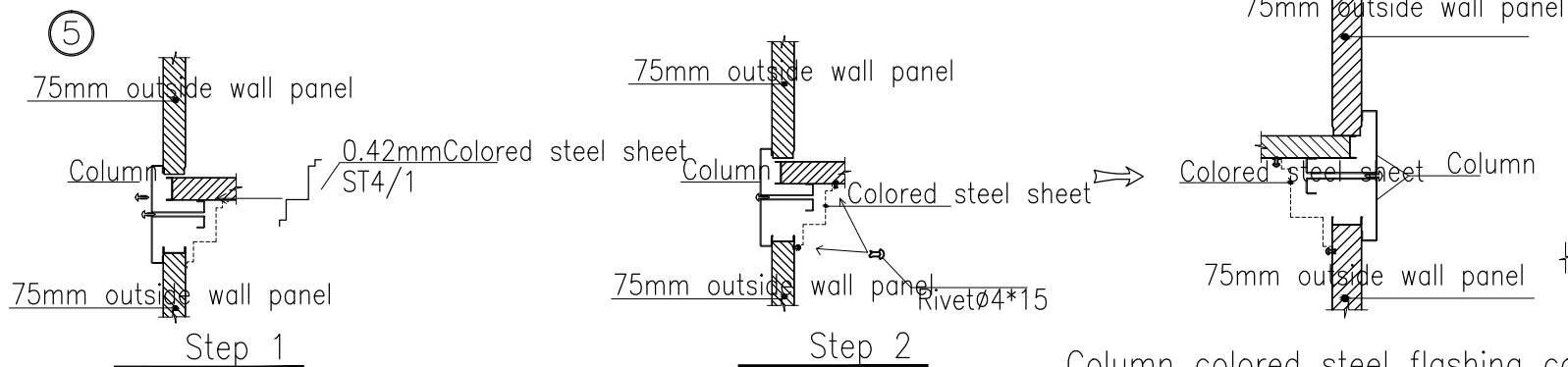


Install the pre-made colored steel flashing to the roof beam joint

Fix with rivet between flashing cover and main structure

Full one

Autodesk



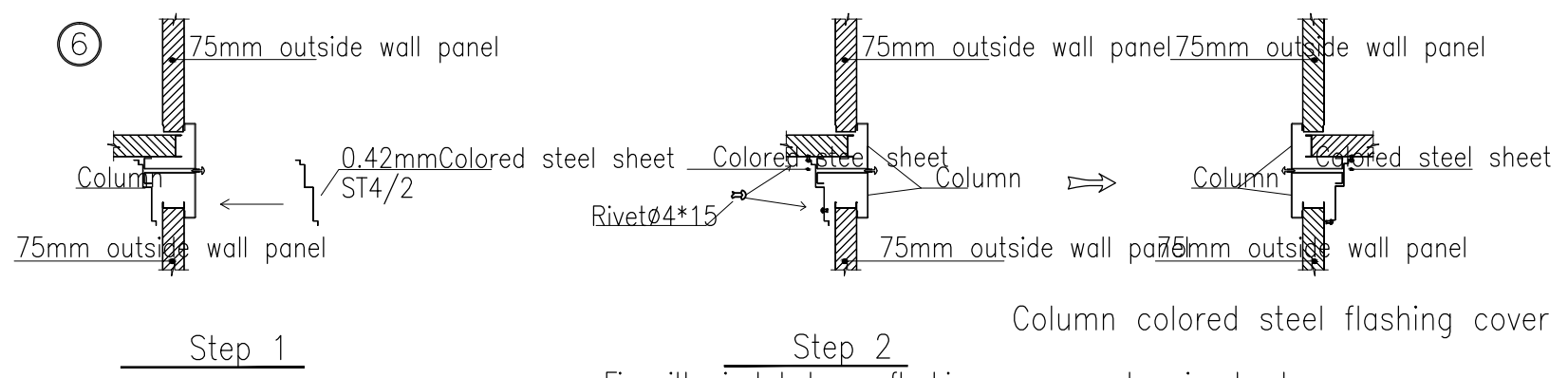
Install the pre-made colored steel flashing to the column joint

Fix with rivet between flashing cover and main structure

Full one

Autodesk

Autodesk



Install the pre-made colored steel flashing to the column joint

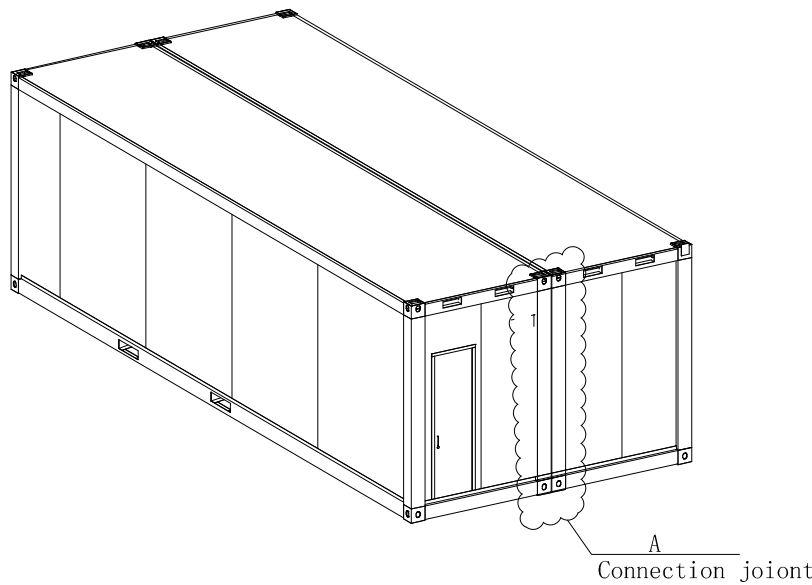
Full one

Autodesk

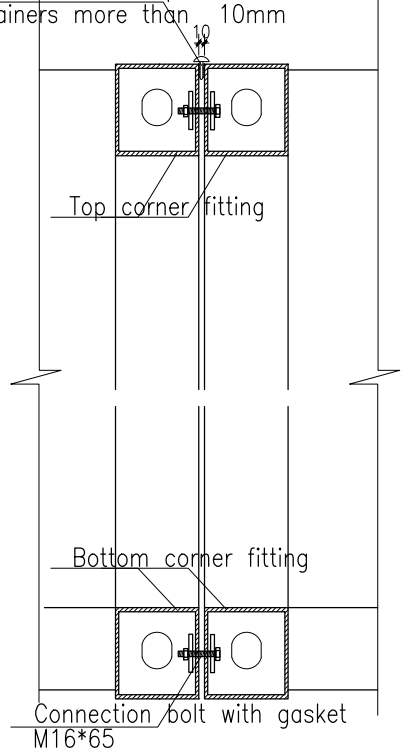
Autodesk

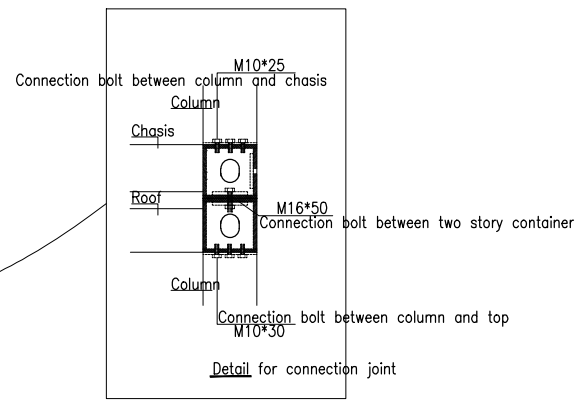
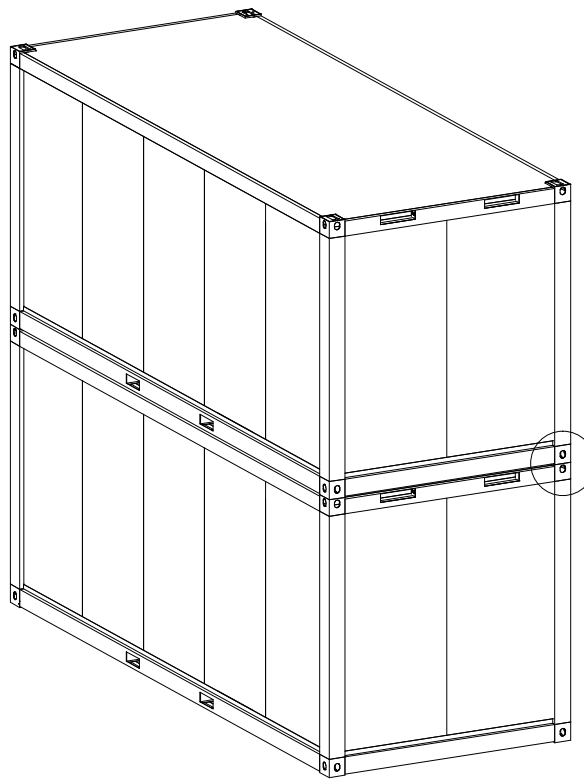
Two story connection

When install the connection rubber ,pls leave gap between containers more than 10mm

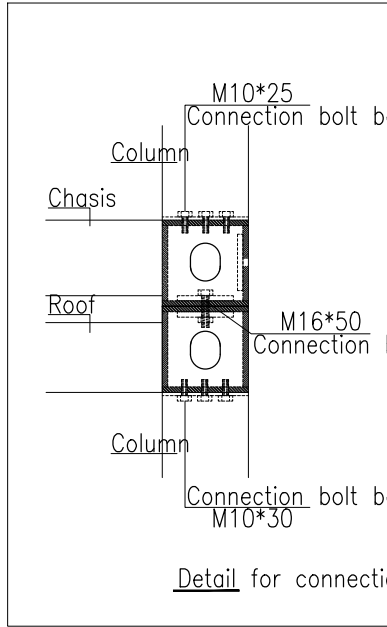


T shaped rubber strip





Step 11: two story combination



M10*25
Connection bolt between column and chasis

Column
Chasis

Roof
M16*50
Connection bolt between two story container

Column
Connection bolt between column and top
M10*30

Detail for connection joint

